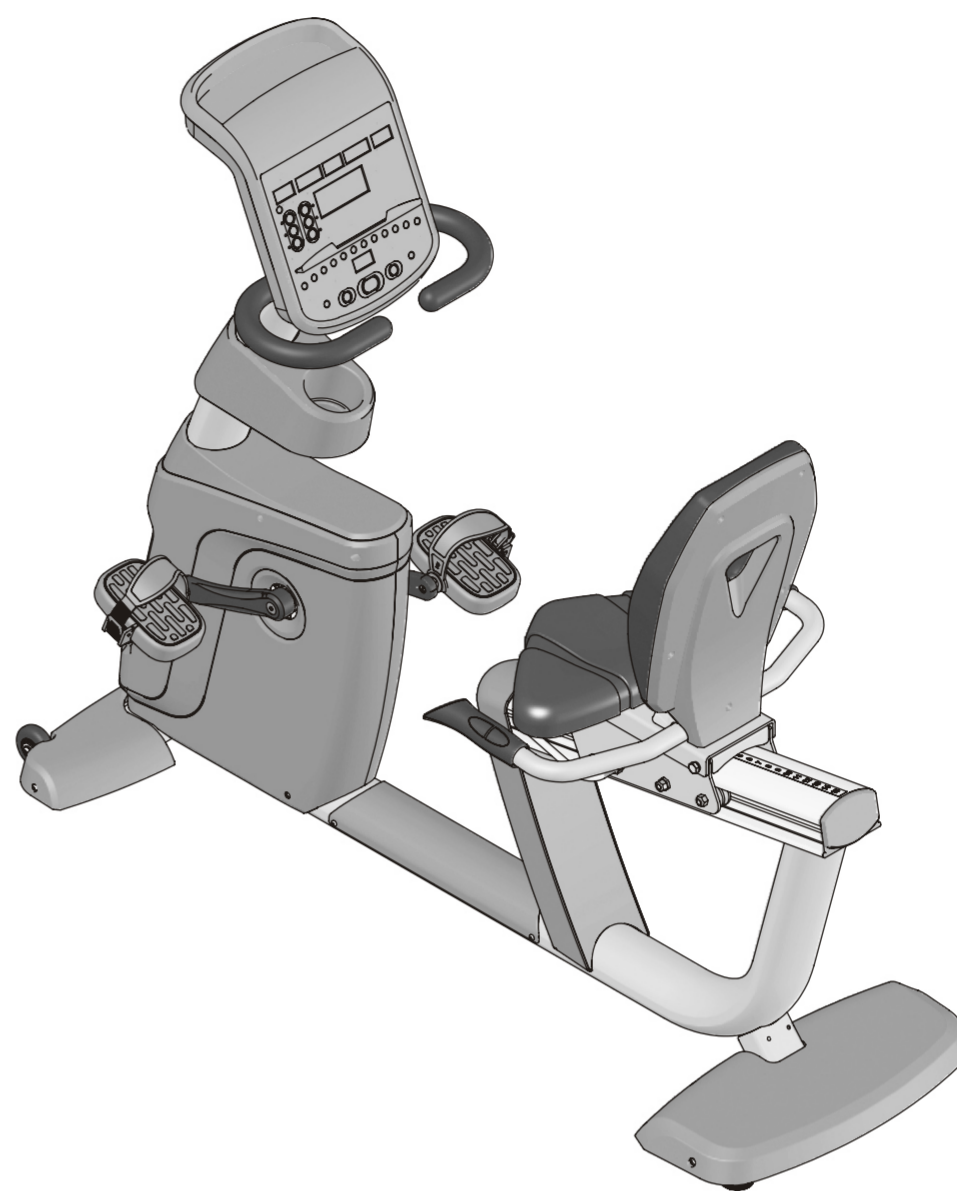


RR700

RECUMBENT BIKE

ASSEMBLY GUIDE

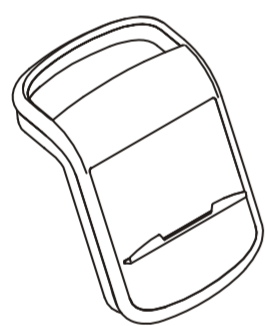


! CAUTION
Read all precautions
and instructions in this manual
before using this equipment

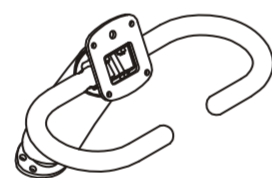
11X



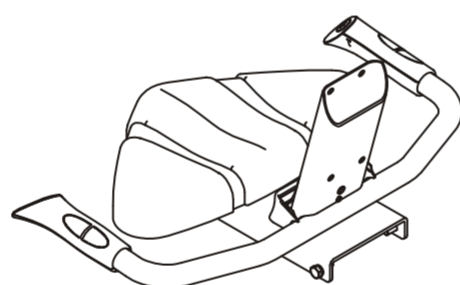
Subassembly Parts List



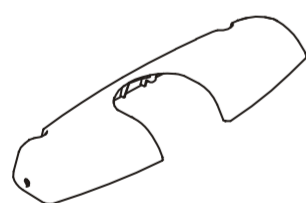
Console



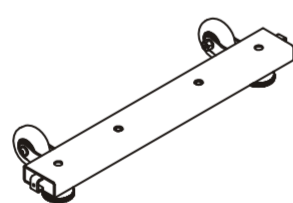
Upright & Handlebar Frame



Seat Pad Support



Front Base Cover



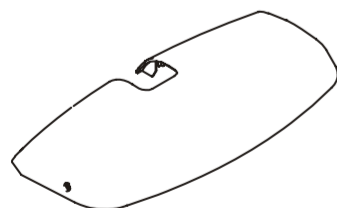
Front Base



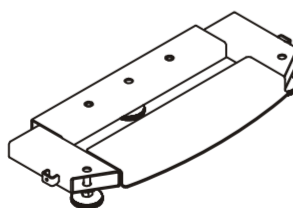
Back Pad



Back Cover



Rear Base Cover



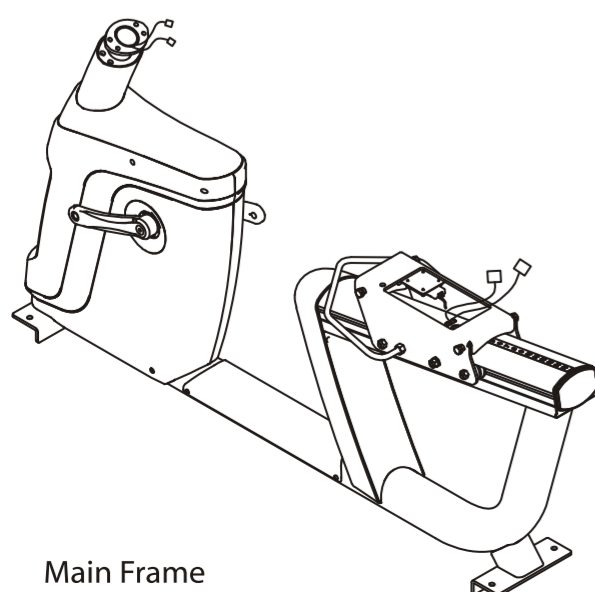
Rear Base



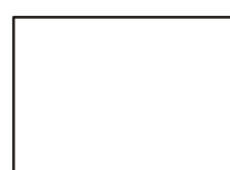
Water Bottle Holder



Water Bottle Holder Bracket



Main Frame



Hardware



Front & Rear Neck Cover

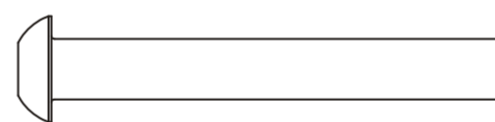


Manual



Pedal

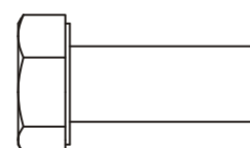
Hardware List



two M8*60 Allen Pan Bolt (#102)



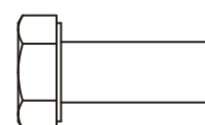
eight Φ9*Φ16*1.6 Washer (#94)



twelve M10*25 Hex Head Bolt (#74)



Twelve Φ10 Spring Washer (#92)



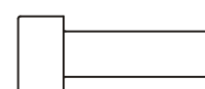
four M8*20 Hex Head Bolt (#72)



eight Φ8 Spring Washer (#91)



two M8*25 Allen Pan Bolt (#100)



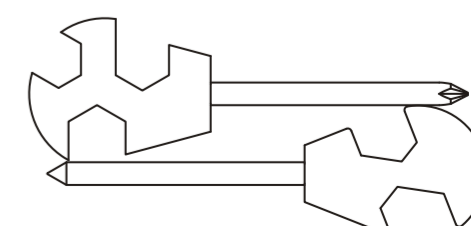
five M6*20 Socket Head Cap Screw (#77)



one S=5 Hex Key (#110)
one S=6 Hex Key (#111)



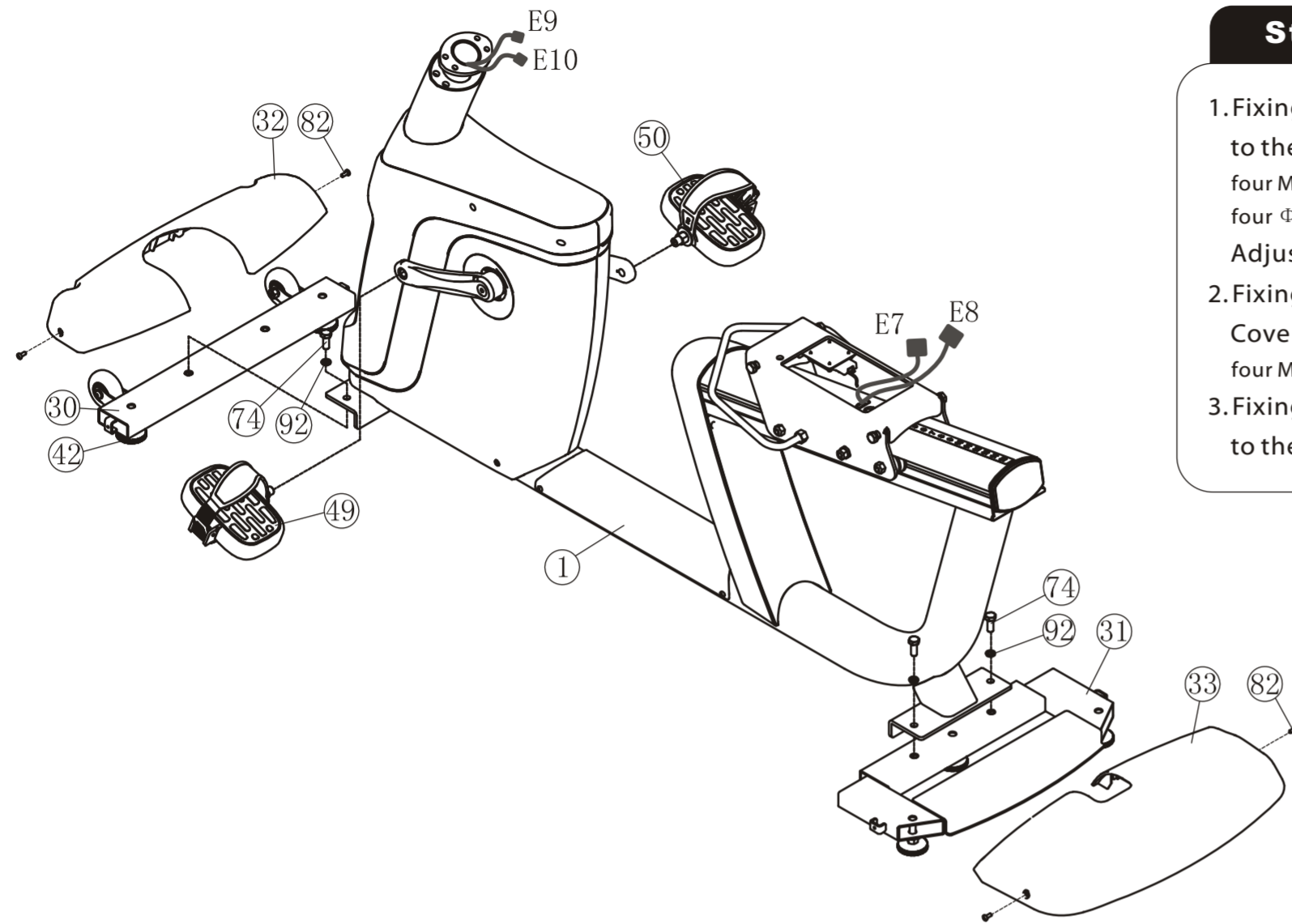
four M5*12 Screw (#82)



one Wrench (#108)
one Wrench (#109)

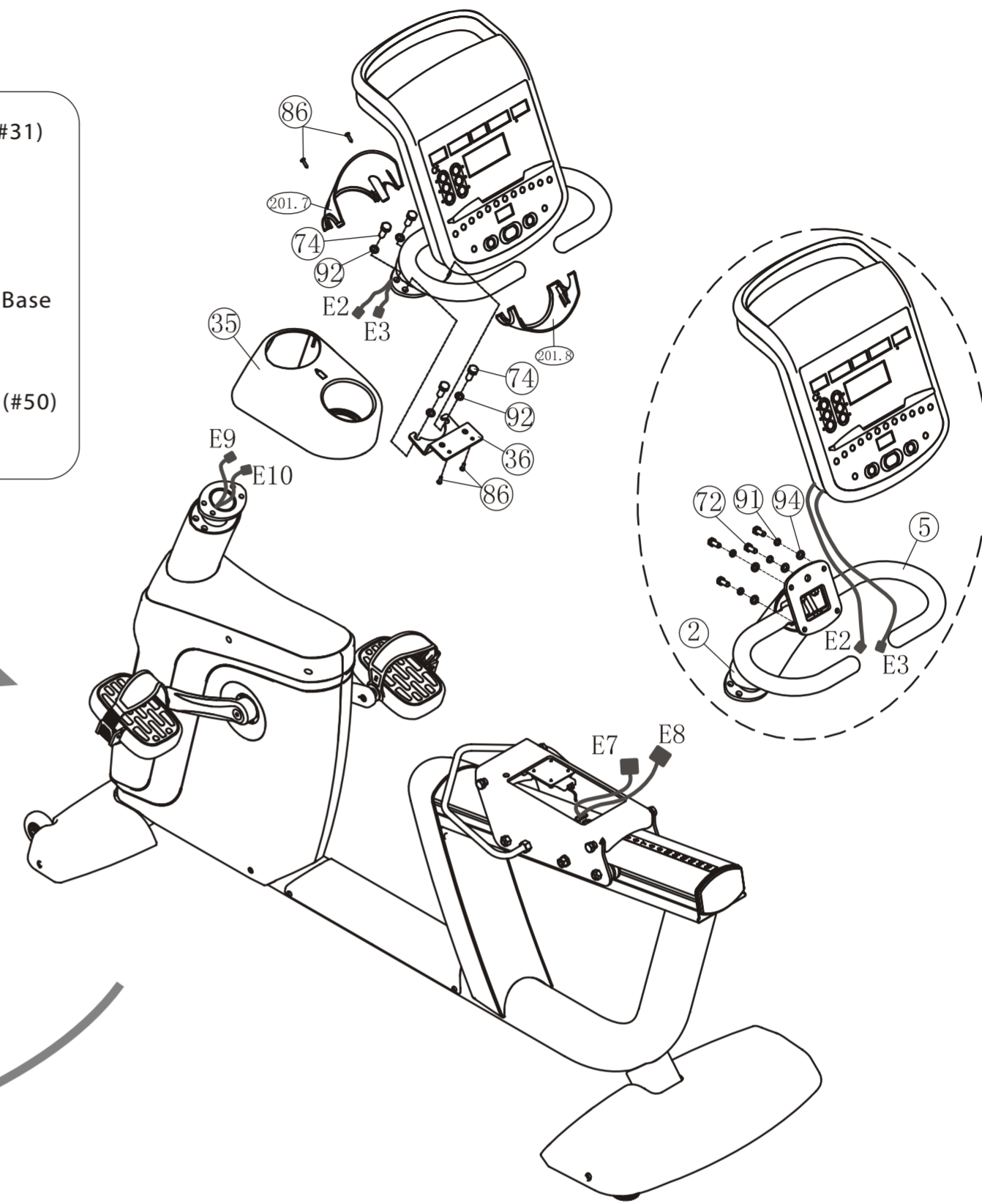


four ST4.2*16 Screw (#86)



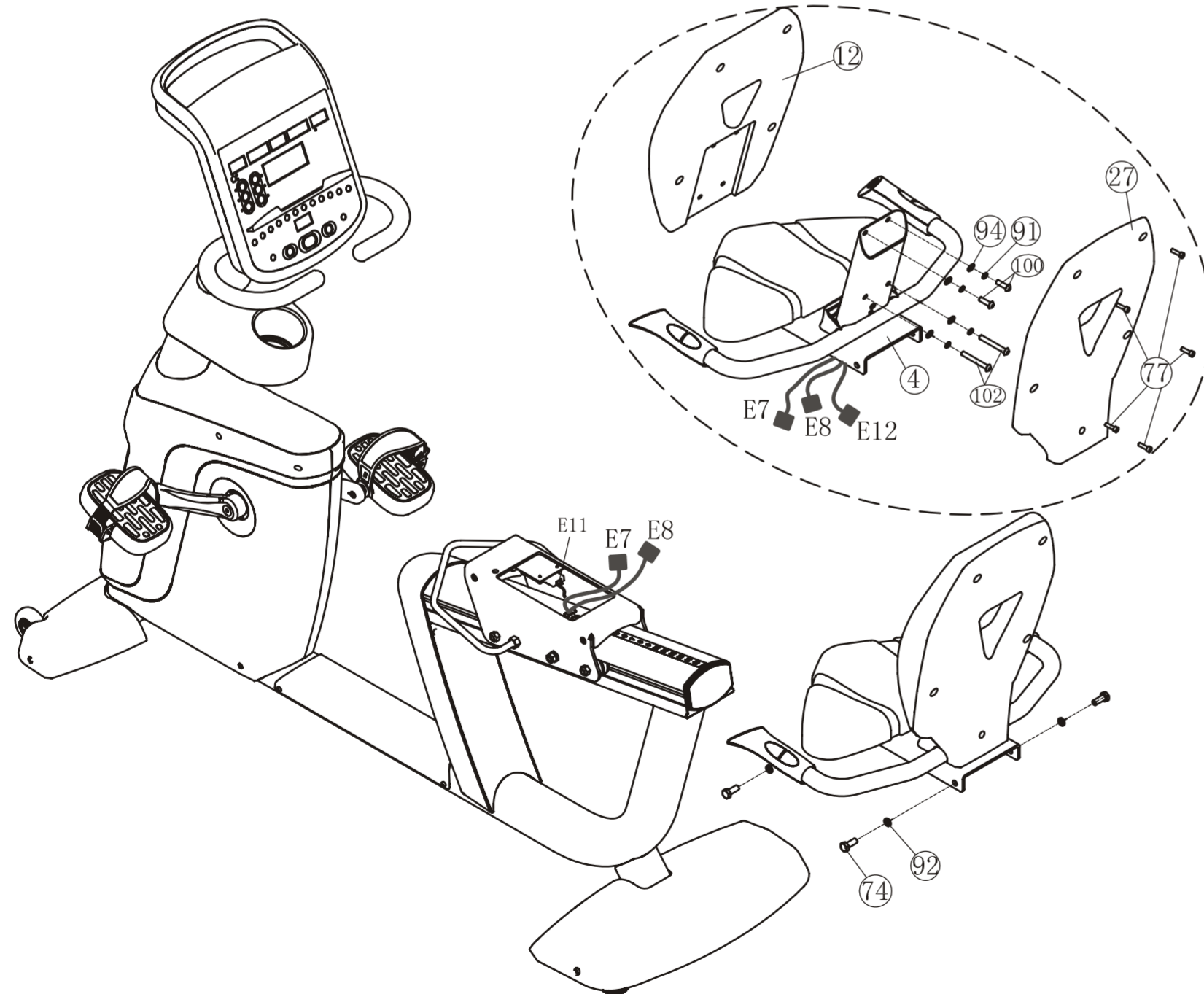
Step 1

1. Fixing the Front Base (#30) and the Rear Base (#31) to the Main Frame (#1), Using:
four M10*20 Hex Head Bolt (#74)
four Φ 10 Spring Washer (#92)
Adjust leveler foot (#42).
2. Fixing the Front Base Cover (#32) and the Rear Base Cover (#33) to the Main Frame (#1), Using:
four M5*12 Screw (#82)
3. Fixing the Left Pedal (#49) and the Right Pedal (#50) to the Mail Frame.



Step 2

1. Down-lead the Stopwatch (#E3) and Console Cable (#E2) to the Pipeline, Fixing the Upright Frame (#2) and The Handlebar (#5), Using:
four M8*20 Hex Head Bolt (#72)
four Φ 8 Spring Washer (#91)
four Φ 9* Φ 16*1.6 Washer (#94)
2. Have your helper hold the Console until ring the Water Bottle Holder (#35) and Plug Stopwatch (#E3) and Stopwatch (#E10), Plug Console Cable (#E2) and Console Cable (#E9). At the same time Fixing the Upright Frame (#2) and the Water Bottle Holder Bracket (#36) to the Main Frame (#1). Using:
four M10*20 Hex Head Bolt (#74)
four Φ 10 Spring Washer (#92)
3. Fixing the Water Bottle Holder (#35) to the Water Bottle Holder Bracket (#36), Using:
two ST4.2*16 Screw (#86)
4. Fixing the Front Neck Cover (#201.7) and The Rear Neck Cover (#201.8) to the Console, Using:
two ST4.2*16 Screw (#86)



Step 3

1. Have your helper hold the Seat Pad (#4). Plug the Switching Cable 1 (#E7), Switching Cable 2 (#E8), Handle Pules Cable (#E12).
2. Fixing the Seat Pad Support Frame (#4) to the Main Frame (#1) Using:
four M10*20 Hex Head Bolt (#74)
four Φ 10 Spring Washer (#92)
3. Fixing the Back Pad (#12) to the Seat Pad Support Frame (#4), Using:
two M8*25 Allen Pan Bolt (#100)
two M8*60 Allen Pan Bolt (#102)
four Φ 8 Spring Washer (#91)
four Φ 9* Φ 16*1.6 Washer (#94)
4. Fixing the Back Cover (#27) to the Seat Pad Support Frame (#4), Using:
five M6*20 Socket Head Cap Screw (#77)